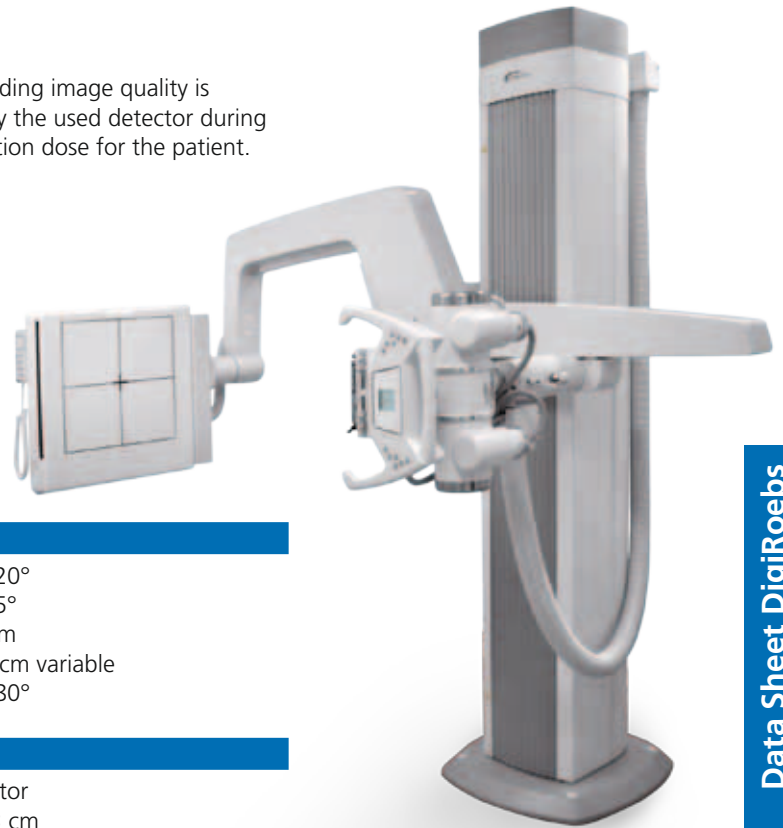


# DigiRoebis

## Digital Radiography of Maximum Flexibility

DigiRoebis is a complete digital X-ray system with all pertinent components. It allows all routine examinations for lying, sitting and standing patients in short time. The tube rotation allows free examinations off-site the detector. With this function even examinations in bed can be realized.

An outstanding image quality is obtained by the used detector during small radiation dose for the patient.



## Technical Data

### DigiRoebis Robot Stand

Robotarm rotation	-30° to +120°
Detector swivel range	-45° to +45°
Distance central beam – floor	40 – 190 cm
Distance focus – detector	100 – 180 cm variable
Tube rotation	-30° to +180°

### Flat Panel Detector

Technology	CsI scintillator
Max field of view	43 cm x 43 cm
Pixel size	143 x 143 µm <sup>2</sup>
Matrix	3000 x 3000 Pixel with 16 bit
DQE	~ 66% at 0lp/mm
Reading time	3 s

### Grid

Type	Oscillation grid
Ratio	44 L, 1:10, FDD140

### X-Ray Generator

Power	55 kW, 100 kHz
Radiographic voltage	40 kVp bis 150 kVp
Shortest X-ray pulse	1 ms
Produced by	Siemens (OEM product)

### X-Ray Tube Unit

Radiographic voltage	150 kV
Nominal power	33 kW / 78 kW
Focus	0,6 mm / 1,2 mm
Heat storage capacity anode	340 KHU
Produced by	Siemens (OEM product)

### Light-Beam Localizer

Multileaf collimator	Manual mode
Connectable pre-filter	0.1, 0.2, 0.3 mm Cu
Produced by	Siemens (OEM product)

### Control Console

Monitor	19" touch screen
Organ programs	Free programmable
Automatic exposure	
DICOM 3.0	Print, storage, worklist, verification, procedure step (MPPS)

### Operation

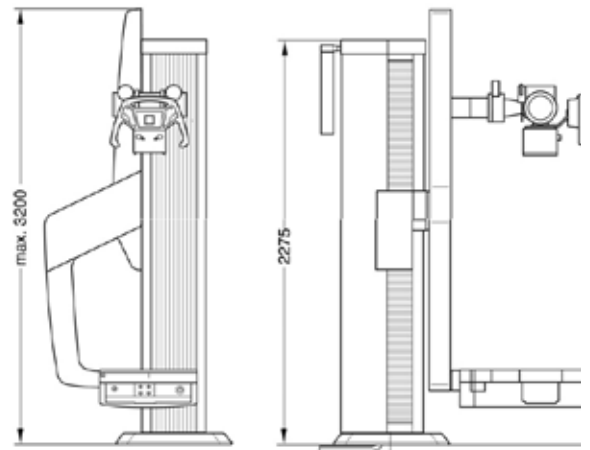
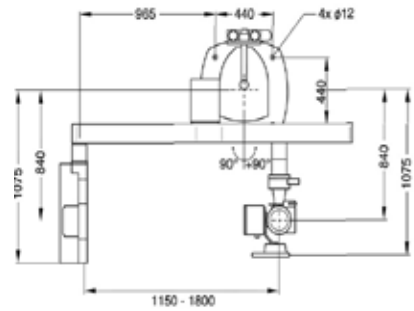
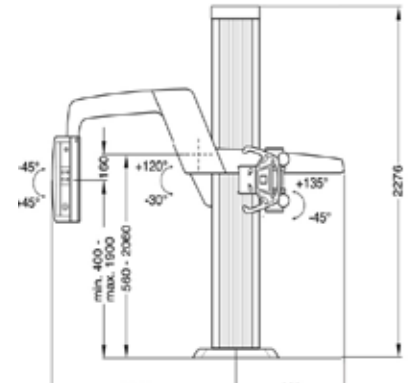
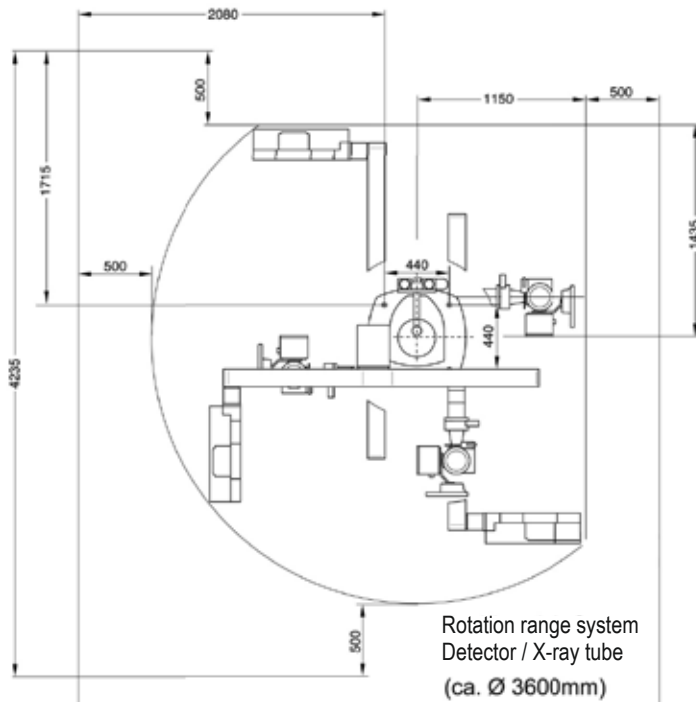
Recommended room temperature	+22°C to 25°C
Relative humidity	10% -80%, (<20g / m <sup>2</sup> )
Air pressure	700 to 1060 hPa

### Storage / Transport

Ambient temperature	-10°C to +60°C
Relative humidity	10% - 90%, (< 20 g/m <sup>2</sup> )
Air pressure	700 to 1060 hPa

### Power Connection (without Generator)

Voltage	230 V, 50 Hz
Power	3 A
Weight stand with vertical carriage	270 kg
Weight swivel arm	200 kg
Weight detector + tube	ca. 55 kg
Ceiling height	Min. 280 cm



Gesellschaft für  
medizinische Datenverarbeitung  
und Integration mbH  
Schuhstr. 30  
D-91052 Erlangen

Tel: + 49 (0) 91 31 - 6 90 87 - 40  
Fax: + 49 (0) 91 31 - 6 90 87 - 50  
eMail: info@medigration.de  
web: www.medigration.de



For more information please visit  
www.medigration.de  
If you have any further questions  
please feel free to contact us!